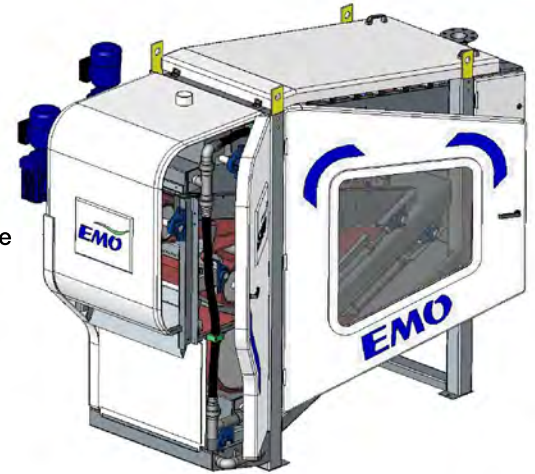


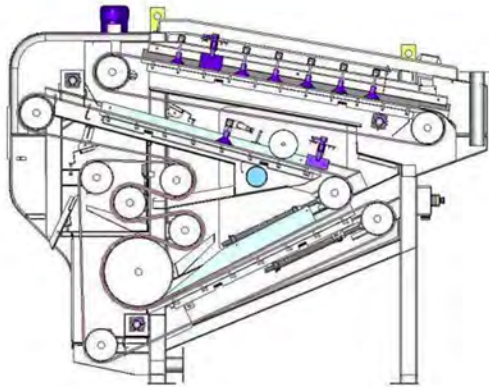


Combo units associate the functions of one gravity belt thickener and one belt filter press.

This combination increases the mass load of 30% and the dryness from 2 to 5%. The Combo is designed for one continuous dewatering of sludge for industrial and municipal WasteWater treatment plants.



Features and Benefits



SPACE SAVINGS

No need for gravity settling tank, sludge storage tank or flotation unit
Belt thickener can be mounted on the top of the belt press when footprint' constraint

OPTIMIZED BFP PERFORMANCE

Dry solids concentration of the sludge entering the belt press is stable (The gravity belt thickener regulates DS%)

Sludge flowing to the belt press is reduced by 4 to 10 times

COST SAVINGS

Optimized process

No need for additional polymer with the BFP

Increase of the dry solids loading rate on the belt press by 30% = smaller BFP

Adds-on equipment are common to the GBT and BFP

Smaller footprint

EASE OF USE

No maintenance platform

Easy supervision of process (flocculation, thickening...)

Easy maintenance (greasing...)

Easy change of wear parts

Installations



OMEGA CC with liming



OMEGA CC 120



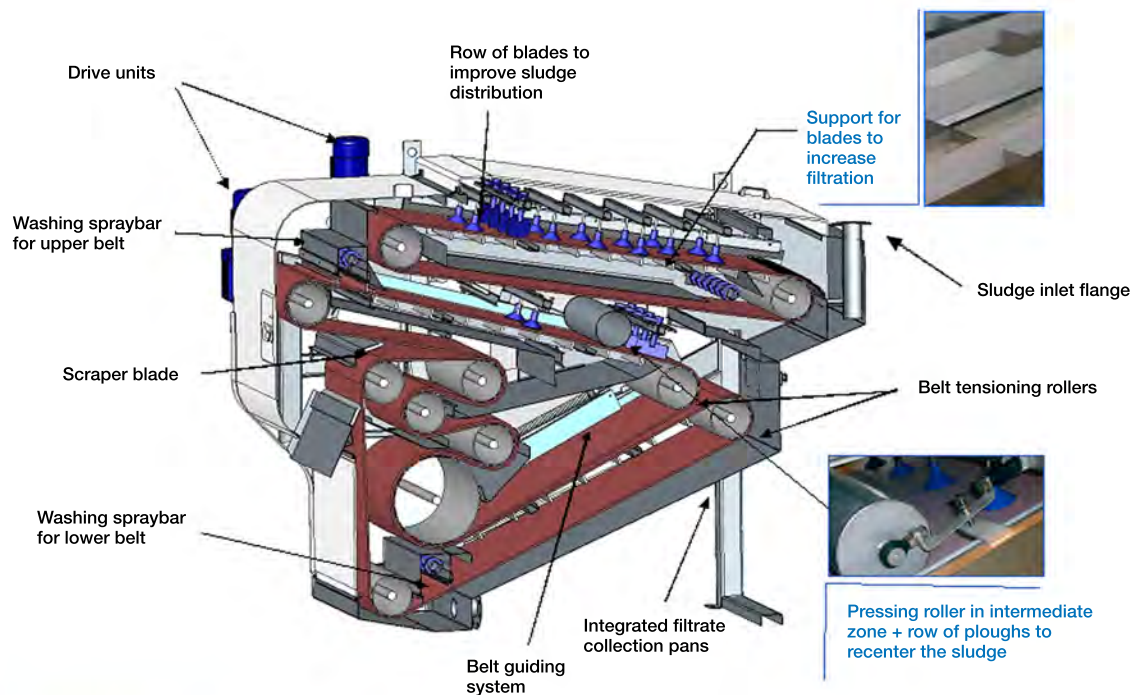
OMEGA CC Mobile Unit



Operating Mode

Flocculated sludge enters on the upper part of the equipment by means of a sludge inlet flange. The sludge divides up on the filtering belt in a consistent way. The water contained in the sludge flows through the filtering belt and is then channelled in a tank. Plows arranged on the thickening zone create grooves in the sludge to ease the draining of the water.

The thickened sludge is then poured on a filtering belt of the pressing zone having a finer meshing to allow the pressing. The second filtering belt of pressing comes to imprison gradually the sludge to evacuate residual water. After passage between rollers of various diameters to increase the pressing, the sludge is removed from the filtering belt and discharged in the disposal system (thickened sludge pump, screw conveyor ...).



Specifications

Note that this combined unit is selected according to the DS loading rate per hour and per belt meter width. The rate varies from one type of sludge to the other.

Model	Belt width (m)	Dimensions (l x w x h)	Sludge flowrate (m ³ /h)
OMEGA CC 060	0,60	2.8 x 1.2 x 2.25	6
OMEGA CC 120	1,20	2.8 x 1.8 x 2.25	12
OMEGA CC 150	1.50	2.8 x 2.1 x 2.25	15
OMEGA CC 200	2.00	2.8 x 2.7 x 2.25	20